



# UNI-TUGGER

---

The UNI-Tugger is the latest addition to the Pro Series battery-changing solution range. Based on the Battery Tugger Electric (BTE), it comes with a recognised pedigree for robust construction and long service life. The UNI-Tugger has been designed to accommodate a variety of popular battery sizes and roll-out heights. Equipped with our powerful electromagnet, the UNI-Tugger also has some new controls fitted as standard, such as, the variable speed joystick for precise bridge speed and a linear actuator system to supplement the lifting range.

All lift and extraction functions are electrically powered and the logical push button and joystick controls make the operator's role very straight forward. The UNI-Tugger is designed for permanently fixing to a standard powered pallet truck. With minimal maintenance requirements, the UNI-Tugger is designed to fulfil the industry's need for a "flexible" mobile battery changer.

## GET IN TOUCH

[info@carneybatteryhandling.com](mailto:info@carneybatteryhandling.com)  
[www.carneybatteryhandling.com](http://www.carneybatteryhandling.com)

Tel: 1.905.564.0303  
Toll free: 1.866.THE.BULL

2A - 14 Reagan Road  
Brampton Ontario L7A 1B9

# UNI-Tugger

## Benefits

---

- ✓ Compatible with a variety sizes and roll-off heights
- ✓ Offers an “off the shelf” solution
- ✓ Permanently bolted to host pallet truck
- ✓ Can be held in stock due to flexible designs
- ✓ Competitively priced

## Features

---

- ✓ Variable speed joystick and emergency stop controls
  - *Standard, built-in safety equipment.*
- ✓ 10-year warranty on electromagnet!
- ✓ Roll-out height range
  - *Designed to be used with customer’s own host pallet truck requiring no additional power to operate the UNI-Tugger.*
- ✓ Host pallet truck must have a lifting capacity of 1801lbs/817kg + the heaviest battery to be changed
- ✓ Host pallet truck forks must be 32”/1700mm long x 26.7”/680mm wide
- ✓ Integrated lift using linear actuator system
- ✓ Simple and logical controls:
  - *Forward/reverse, raise/lower controls by host truck*
  - *An additional lift of 12”/305mm is built into UNI-Tugger*
  - *Raise/lower via buttons on the side of Variable Speed Joystick housing*
  - *Magnet bridge travel with variable speed joystick control*
  - *Magnet power on/off switch with 5-minute time-out*
  - *10-year warranty on the electromagnet!*

## Available Options

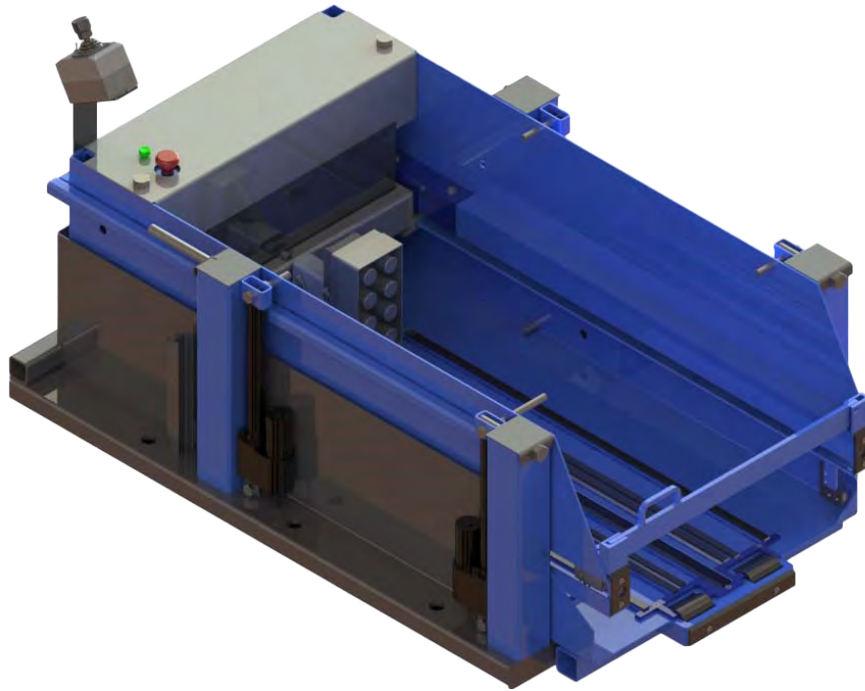
---

OPTIONS
Custom colors available
Fold-down battery guide for narrow batteries
Front safety gate
10-pole magnet available for batteries over 3,530 lbs

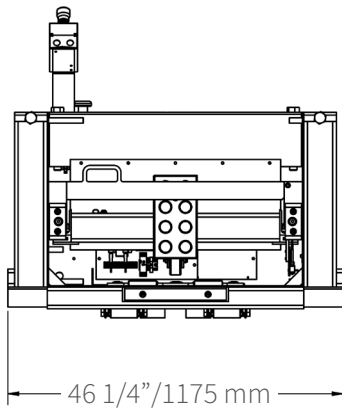
# UNI-Tugger

## TECHNICAL DRAWINGS AND RENDERING

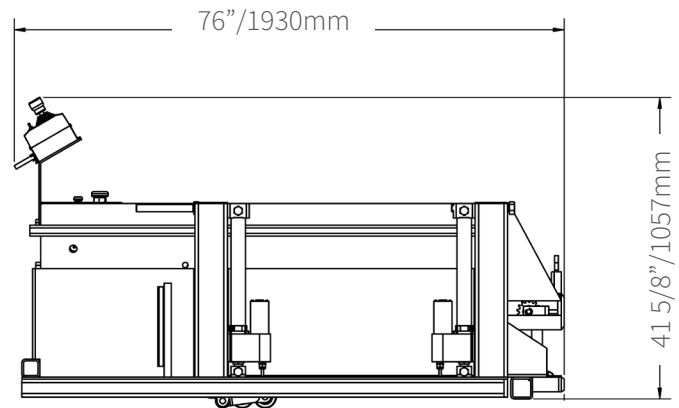
### RENDERING



REAR VIEW



SIDE VIEW



# UNI-Tugger

## SPECIFICATIONS

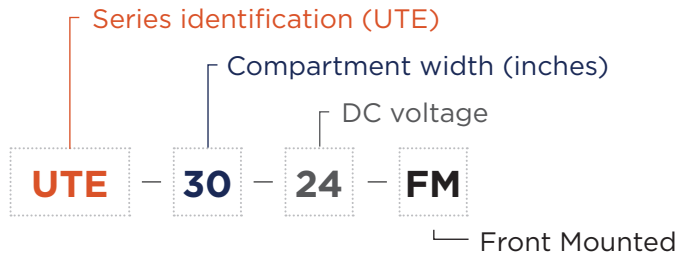
DESCRIPTION		STANDARD	METRIC
1	Maximum battery weight	4997 lbs	2267kg
2	Powerpack type	Gear reduced electric	
3	Motor type	Permanent magnet DC	
4	System voltage	24 Volt DC	
5	Magnet size/pole	8" x 8"	203 mm x 8
6	Standard colors	Blue or Orange	
7	Minimum roll-out height	4.5"	115 mm
8	Maximum roll-out height	21.25"	540 mm
9	Required host truck capacity	1801 lbs + battery weight	817kg + battery weight
10	Lift speed	0.033m/s	
11	Lift stroke of host truck	4.8"	120 mm

## DIMENSIONS

DESCRIPTION		STANDARD	METRIC
13	Overall length	76"	1930 mm
14	Overall width	46.25"	1175 mm
15	Overall height	41 5/8"	1057 mm
16	Maximum battery compartment depth	49"	1245 mm
17	Battery compartment width	30"	762 mm
18	Maximum battery width	29"	736 mm
19	Maximum roll out the height	21.25"	540 mm

# Model/Part Number Breakdown

Example: UTE-30-24-FM



# Product Images



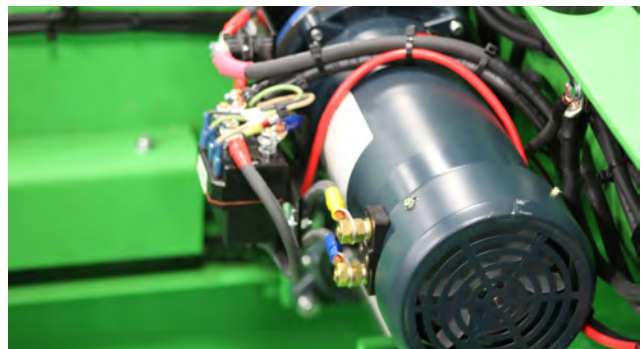
UNI-Tugger control panel



Back view - lifted



Front view - UNI-Tugger in green



Electric motor

## GET IN TOUCH

info@carneybatteryhandling.com  
www.carneybatteryhandling.com

Tel: 1.905.564.0303  
Toll free: 1.866.THE.BULL

Due to continuous product improvements, specifications are subject to change without notice. Some systems and features shown may be optional at extra cost.

CBH\_UTE\_NA\_R007