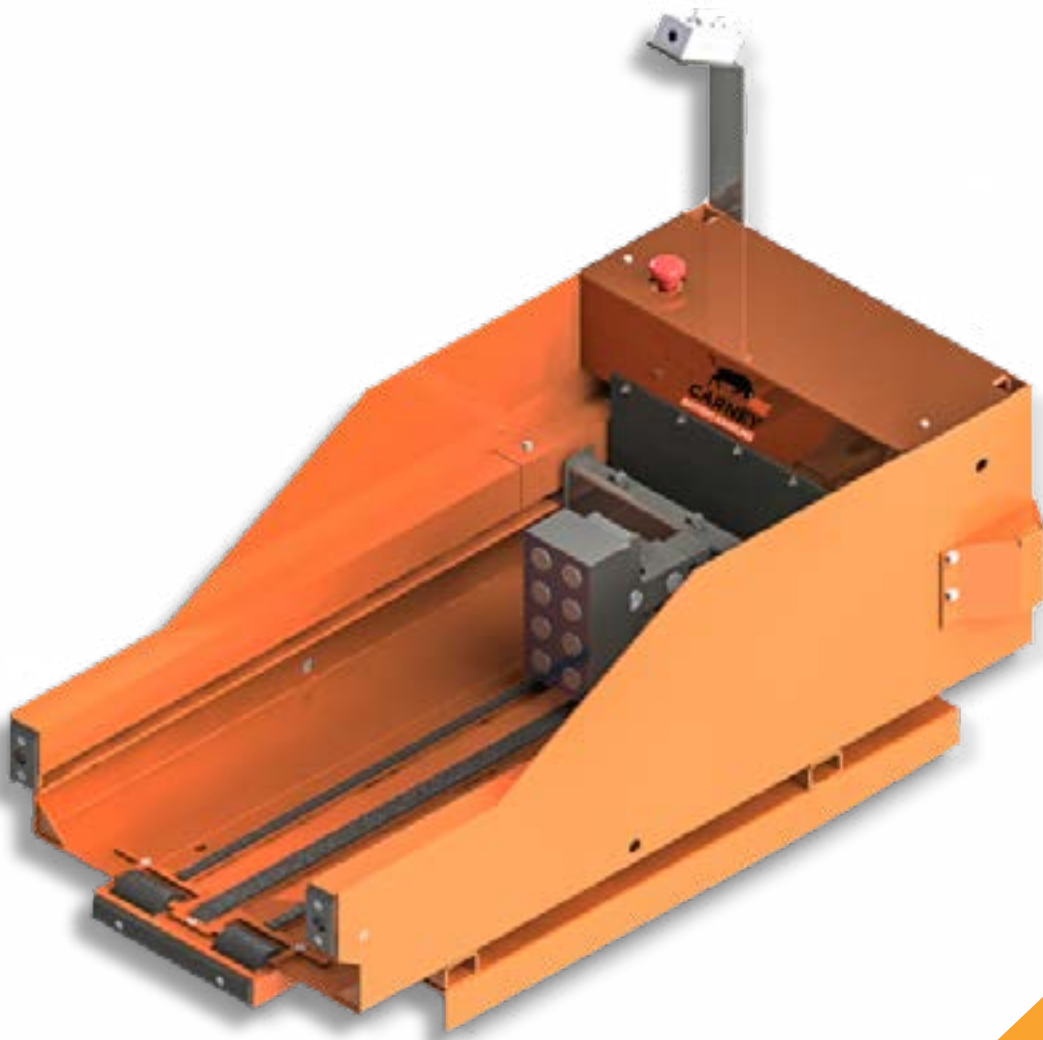




BTE

BATTERY TUGGER ELECTRIC

TRUSTED FOR EVERY BATTERY





BTE

BATTERY TUGGER ELECTRIC

The Carney BTE or Battery Tugger Electric has left its mark on the industry. Today, this unit is trusted by organizations around the world to simplify battery management. Designed to transfer industrial forklift batteries of varying sizes, the BTE can be operated using any host pallet truck battery pack, it is available in a variety of voltages from 24 to 48, ensuring its compatibility with standard material handling equipment, and making it an easy addition to any forklift fleet.

Each unit is coated with an acid-resistant powder coating and equipped with a powerful electromagnet for safe, seamless battery extraction.

DURABLE CONSTRUCTION

The BTE is solid-welded as one piece ensuring durability that is designed to last a lifetime.

ADD-ONS

A plethora of add-ons are available for the Battery Tugger everything from a bolt-on safety gate to a narrow battery guide or emergency stop integration.

FULLY ELECTRIC

This unit is entirely electric and energy efficient, powered entirely by any chosen pallet or forklift truck.

LEAD ROLLERS

The BTE uses a lead roller to ensure a smooth, damage-free battery exchange every time.

ADAPTABLE

Adaptable to fleets of varying sizes and coupled with custom roller stands and charging configurations the BTE is built for optimal compatibility.

WARRANTY

Every unit comes with a standard 1-year warranty for your protection and a 5-year warranty on the electromagnet.



KEY FEATURES + OPTIONS

- ✓ Custom colours available
- ✓ Magnet power on/off switch with adjustable time out
- ✓ 5-year electromagnet warranty
- ✓ Quick clamp for secure mounting
- ✓ Fold-down battery guide for narrow batteries
- ✓ Front safety gate
- ✓ 10-pole electromagnet recommended for batteries between 3,500 - 5,000 lbs
- ✓ Emergency stop controls
- ✓ Forward/reverse and raise/lower controls by host truck
- ✓ Magnet bridge travel
- ✓ Extension limiter
- ✓ Array of standard sizes 24" to 48"
- ✓ Aluminum drop-in beds
- ✓ Flexible mounting options



GENERAL SPECIFICATIONS

	<u>STANDARD</u>	<u>METRIC</u>
Unit capacity	5,000 lbs	2268 kgs
Powerpack type	Gear reduced electric	
Motor type	Permanent magnet DC	
Horse power	1HP	
Available voltage	24V / 36V / 48V	
Magnet size	6.5"/11.5"	152 x 292 mm
Magnet pole	8	
Standard colours	Orange & blue	
Battery connector	SB 175 gray	
Draw bar pull	1,800 lbs	818 kgs
Magnet time-out	Adjustable	
Arm travel speed	38 FPM	
Minimum fork length required	48"/1220 mm	



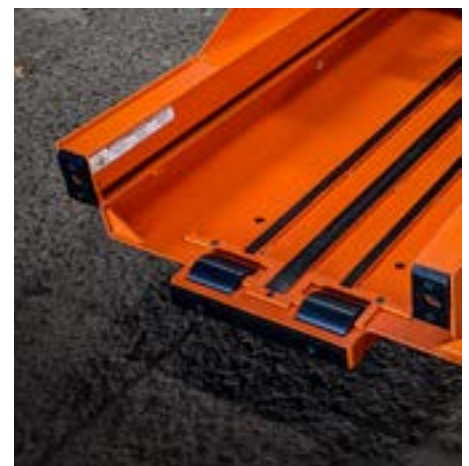
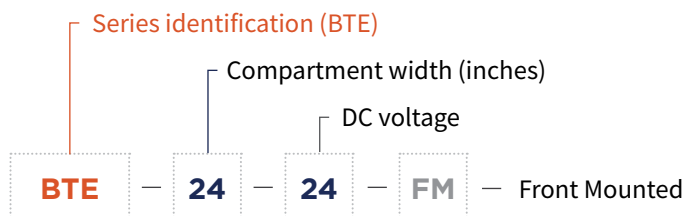
Control Unit



22-Year old unit replaced in 2022

MODEL-PART NUMBER BREAKDOWN

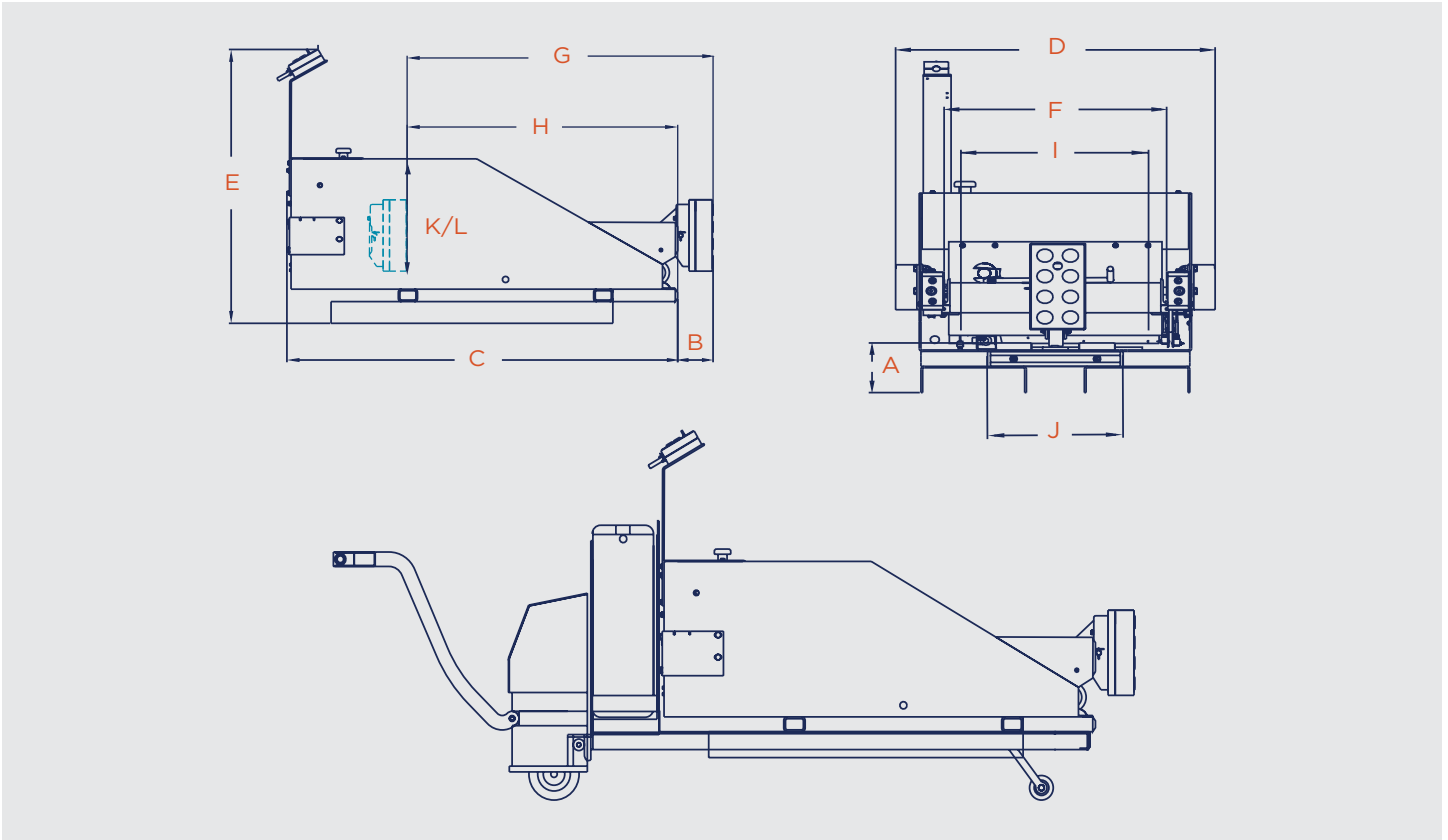
Example: BTE-24-24-FM



Poly-urethane slider strips

DEMENSIONAL DATA

BTE



DIMENSIONAL DATA

BTE-24

BTE-30

BTE-36

BTE-42

BTE-48

A	Standard roll-out height	6.625"/169 mm				
B	Standard reach (fully extended)	5.5"/140 mm				
C	Overall length	63"/1600 mm				
D	Overall width	34.5"/876 mm	40.5"/1029 mm	46.5"/1181 mm	52.5"/1334 mm	58.5"/1486 mm
E	Overall height	44.1"/1121 mm				
F	Battery compartment width	24"/610 mm	30"/762 mm	36"/914 mm	42"/1067 mm	48"/1219 mm
G	Total magnet travel	42"/1067 mm				
H	Maximum battery length	41"/1041 mm				
I	Maximum battery width	23"/584 mm	29"/737 mm	35"/889 mm	41"/1041 mm	47"/1194 mm
J	Minimum battery width	6"/152 mm				
K	Maximum battery height	32"/813 mm				
L	Minimum battery height	13"/331 mm				
M	Service weight (no host truck)	658 lbs/298 kgs	700 lbs/317 kgs	730 lbs/331 kgs	760 lbs/344 kgs	790 lbs/358 kgs



FABRICATING & AUTOMATION

Our specialized team of machinists create tools, parts, products, and attachments to solve everyday material handling dilemmas while our team of automation experts focus on robotic engineering, PLC, HMI programming and process automation geared towards your specific manufacturing needs. We deliver world-class expertise by innovating products that help you meet the demands of day-to-day operations.

Let's get started on your next project.



- ✓ Operational Up-time
- ✓ In-house Manufacturing
- ✓ Safety & Security

- ✓ Automated Battery Handling
- ✓ System Design
- ✓ And more!

info@carneyautomation.com

CARNEYAUTOMATION.COM



- ✓ Product Transfer Systems
- ✓ Below-The-Hook Devices
- ✓ Storage Systems

- ✓ Ergonomic Equipment
- ✓ Forklift & Picker Attachments
- ✓ And more!

info@carneyfabricating.com

CARNEYFABRICATING.COM



HAVE ADDITIONAL QUESTIONS? GET IN TOUCH

sales@carneybatteryhandling.com
www.carneybatteryhandling.com

Tel: 1.905.564.0303
Toll free: 1.866.THE.BULL

Due to continuous product improvements, specifications are subject to change without notice. Some systems and features shown may be optional at extra cost.

©2024 Carney Battery Handling Ltd.
BTE_specifications_2024F