



# RTC

## **ROLLING TRANSFER CART**

BATTERY HANDLING MADE SIMPLE





**RTC**



# ROLLING TRANSFER CART

---

Simplicity at its finest, the RTC is designed to service or transport lighter batteries. Available in various heights and configurations, it's perfect for any traditional warehouse with minimal changing requirements. A cost-effective, dependable solution for operations with small-scale battery-changing requirements, this manual transfer cart offers a quick and efficient solution to keep your employees safe during every change.

Store, handle and swap one or two batteries at a time. The RTC makes changing forklift batteries easy for everyone, with a capacity of 4,000 lbs.

## **COMPACT & MANOEVRABLE**

Small but mighty and easy to handle, the compact, rollable design ensures easy manoeuvrability.

## **DURABLE CONSTRUCTION**

Perfect for harsh environments, the RTC is a complete unit with a fully welded frame, ready to combat even the most unforgiving operating conditions.

## **BATTERY PROTECTION**

A built-in backstop and safety stop means protection for batteries during every change.

## **NO RESISTANCE**

The heavy-duty welded construction of the RTC doesn't impact its ability to roll, even fully loaded, because every unit includes durable phenolic casters.

## **WARRANTY**

Every unit comes with a standard 1-year warranty for your protection.



## KEY FEATURES + OPTIONS

- ✓ Custom colours available
- ✓ Safety stop to limit battery movement
- ✓ Non-slip rollers
- ✓ Foot brake & adjustable stop mounting bracket
- ✓ Affordable & compact
- ✓ Castors can be adjustable to support all batteries (optional)
- ✓ Rated capacity of up to 4,000 lbs
- ✓ Custom units at larger sizes are available to handle unique batteries
- ✓ Available in two standard sizes to safely adapt to any size battery in your fleet
- ✓ Durable construction

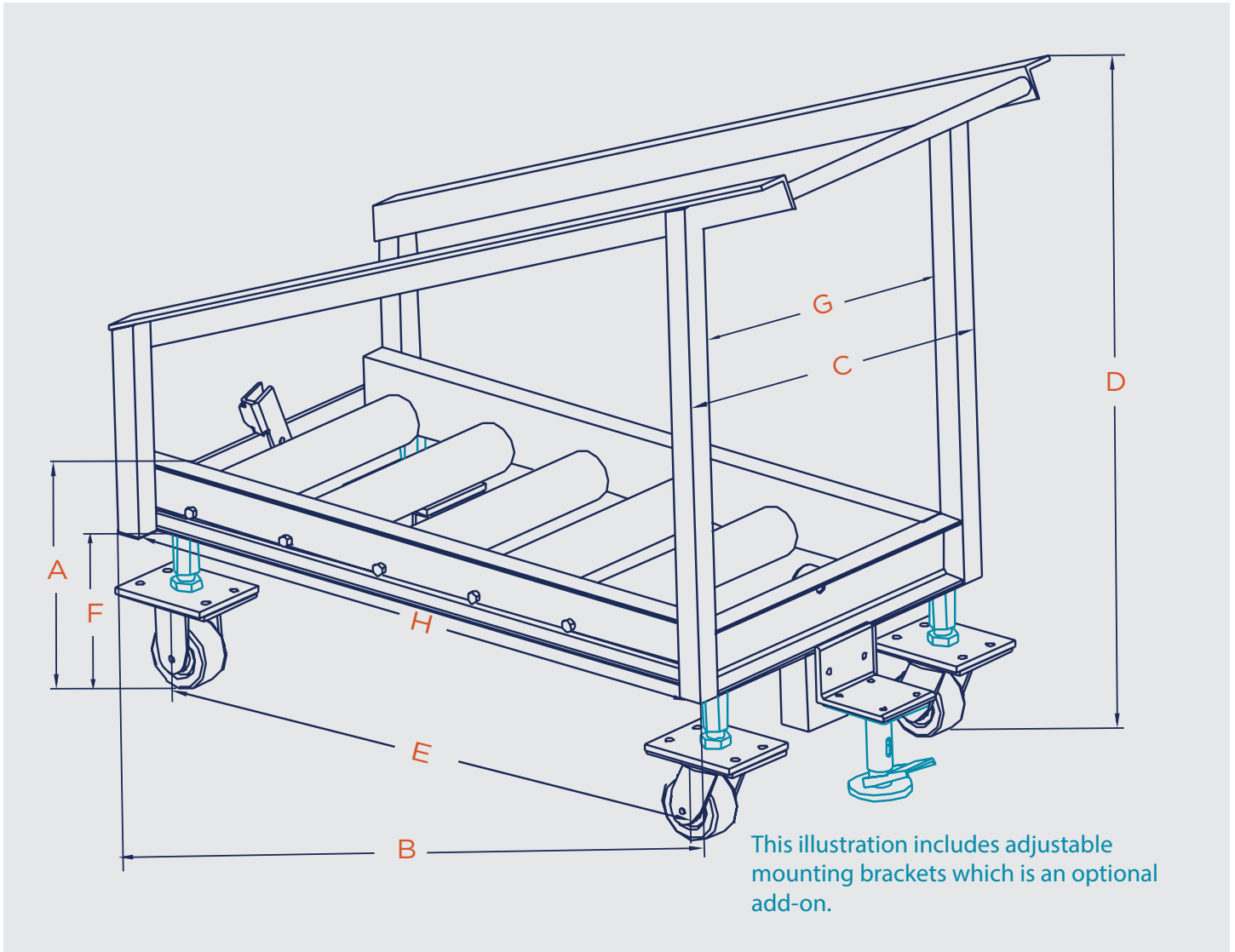
## GENERAL SPECS

Capacity	4,000 lbs / 1814 kgs
Service weight	704 lbs / 320 kgs
Standard Colours	Orange / blue
Roller Diameter	3" / 76.2 mm

## MODEL-PART NUMBER BREAKDOWN

Example: RTC-1-18





### DIMENSIONAL DATA

### RTC-1-18

			Raised: 13.5" / 350 mm	Lowered: 11.5" / 292 mm
A	Roll-out height			
B	Overall length		50"	1270 mm
C	Overall width		25"	635 mm
D	Overall height		45"	1143 mm
E	Wheel base		19.5"	495 mm
F	Ground clearance		7/8"	22 mm
G	Battery compartment length		40"	1016 mm
H	Battery compartment width		18"	457 mm



# FABRICATING & AUTOMATION

Our specialized team of machinists create tools, parts, products, and attachments to solve everyday material handling dilemmas while our team of automation experts focus on robotic engineering, PLC and HMI programming and process automation geared towards your specific manufacturing needs. We deliver world-class expertise by innovating products that help you meet the demands of day-to-day operations.

Let's get started on your next project.



- ✓ Operational Up-time
- ✓ In-house Manufacturing
- ✓ Safety & Security
- ✓ Automated Battery Handling
- ✓ System Design
- ✓ And more!

[info@carneyautomation.com](mailto:info@carneyautomation.com)

[CARNEYAUTOMATION.COM](http://CARNEYAUTOMATION.COM)



- ✓ Product Transfer Systems
- ✓ Below-The-Hook Devices
- ✓ Storage Systems
- ✓ Ergonomic Equipment
- ✓ Forklift & Picker Attachments
- ✓ And more!

[info@carneyfabricating.com](mailto:info@carneyfabricating.com)

[CARNEYFABRICATING.COM](http://CARNEYFABRICATING.COM)



## HAVE ADDITIONAL QUESTIONS? GET IN TOUCH

---

[sales@carneybatteryhandling.com](mailto:sales@carneybatteryhandling.com)  
[www.carneybatteryhandling.com](http://www.carneybatteryhandling.com)

Tel: 1.905.564.0303  
Toll free: 1.866.THE.BULL

*Due to continuous product improvements, specifications are subject to change without notice. Some systems and features shown may be optional at extra cost.*

©2024 Carney Battery Handling Ltd.  
RTC\_specifications\_2023\_NA