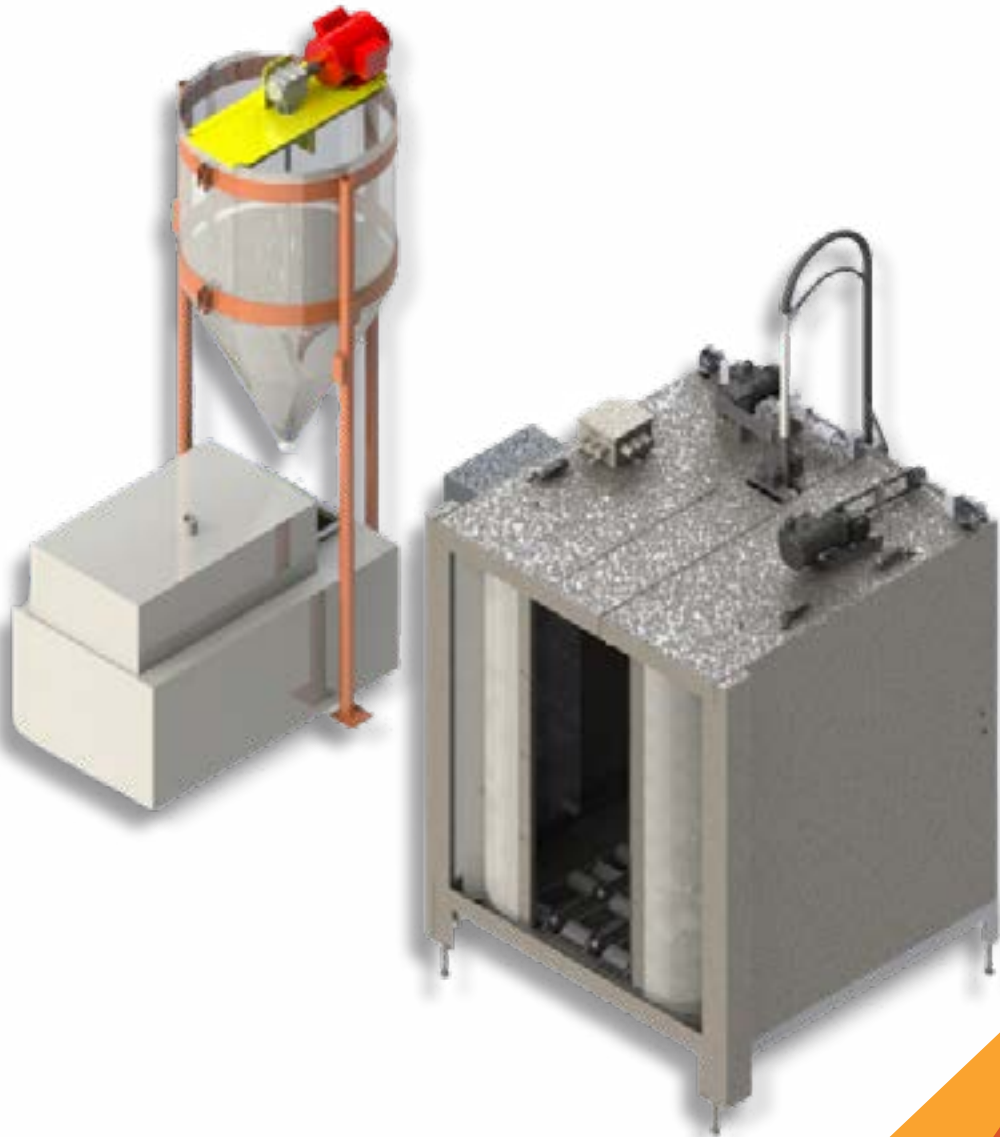




# ABM & WWTS

**AUTOMATIC BATTERY MAID**  
& WASTEWATER TREATMENT SYSTEM



The image shows a large industrial machine, the Automated Battery Maid (ABM), in a warehouse or factory setting. The machine is primarily grey with a large central window. To its right is a tall orange structure with a hopper and various pipes. The background shows industrial shelving and equipment.

**ABM**

# AUTOMATIC BATTERY MAID

Carney's Automated Battery Maid (ABM) system is an easy-to-use, self-contained unit that offers an efficient, safe, and mess-free way to wash batteries. The ABM has automated washing and drying features, a power interlock door system, automated acid neutralization, and programmable washing and drying cycles. It accommodates both lift-out and roll-out battery systems, and its powered oscillating wash arm delivers the highest available wash pressure and flow rate.

This unit couples with our Wastewater treatment system to create a completely automated, eco-friendly battery washing system.

## **STAINLESS STEEL & PVC CONSTRUCTION**

This unit is equipped with a stainless steel body and PVC accessories for maximum corrosion resistance and durability.

## **SAFE & FLEXIBLE LOADING**

The ABMs powered or manual door and flip top accommodates both roll-out and lift-out battery management systems.

## **FULLY PROGRAMMABLE**

The simple PLC interface provides an assortment of programming options to suit your fleet and schedule.

## **USER-FRIENDLY INTERFACE**

The units clear digital PH meter allows for PH monitoring for automated neutralization.

## **POWERFUL CLEANING**

With a high flow rate of 16 gallons per minute and wash pressure of 100 psi, the ABM has the power for a thorough clean for every use.



## KEY FEATURES + OPTIONS

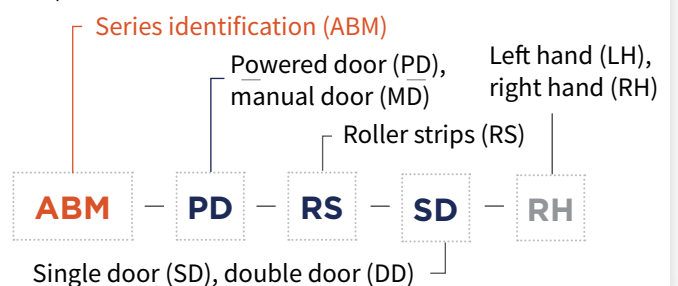
- ✓ Compliant with all environmental regulations
- ✓ Adjustable powered oscillating wash arm
- ✓ Ground fault shutdown
- ✓ Water overflow protection
- ✓ Acid proof rollers
- ✓ Non-conductive clear lexan doors
- ✓ Removable stainless steel trash screen
- ✓ Adjustable legs for leveling
- ✓ Optional powered conveyor
- ✓ Closed-loop integration
- ✓ Push button start-up

## GENERAL SPECS

Capacity	6,000 lbs / 2,722 kgs
Service weight	1400 lbs / 635 kgs
Drive Type	PLC
Air Supply	3/4" Line @ 100 PSI
Power Supply	120 VAC/1 phase/ 21 amps

## MODEL-PART NUMBER BREAKDOWN

Example: ABM-PD-RS-SD-RH





# WWTS



## WASTE WATER TREATMENT SYSTEM

Our Wastewater Treatment System (WWTS) offers a fast, easy, safe, and eco-friendly solution for handling and disposing of hazardous waste by-products from battery washing. It prevents contaminants from re-entering the environment, separates them into a filtered tank for disposal, and reclaims up to 98% of water for reuse.

The WWTS is a stand-alone unit that works with any battery wash system in your facility. It is designed to co-exist with our Automated Battery Maid (ABM) to create a fully integrated, closed-loop automated battery washing system.

### **EASY OPERATION**

The clear PVC reservoir allows the operator to visually monitor the quality of the battery wash water as it is being used.

### **BUILT-IN UNIT PROTECTION**

The built-in operator ground fault protection and low water supply cut-off switch protect the pump from running dry.

### **REVOLUTIONARY FILTERING**

A custom designed flocculent is used to encapsulate all the heavy metals, enhancing the filtering process.

### **WATER EFFICIENCY**

More than 98% of the system's water is reclaimed and reused after each purging cycle.

### **WARRANTY**

Every unit comes with a standard 1-year warranty for your protection.



## KEY FEATURES + OPTIONS

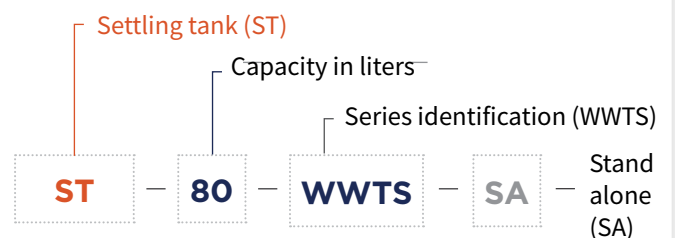
- ✓ Optional extended warranty & service programs
- ✓ Filters & recycles contaminated water in minutes
- ✓ Magic powder flocculent available
- ✓ Filter media kit available
- ✓ 80 gallon upper reservoir
- ✓ 80 gallon lower reservoir
- ✓ Durable chassis construction
- ✓ Steel filter box
- ✓ Custom colors available

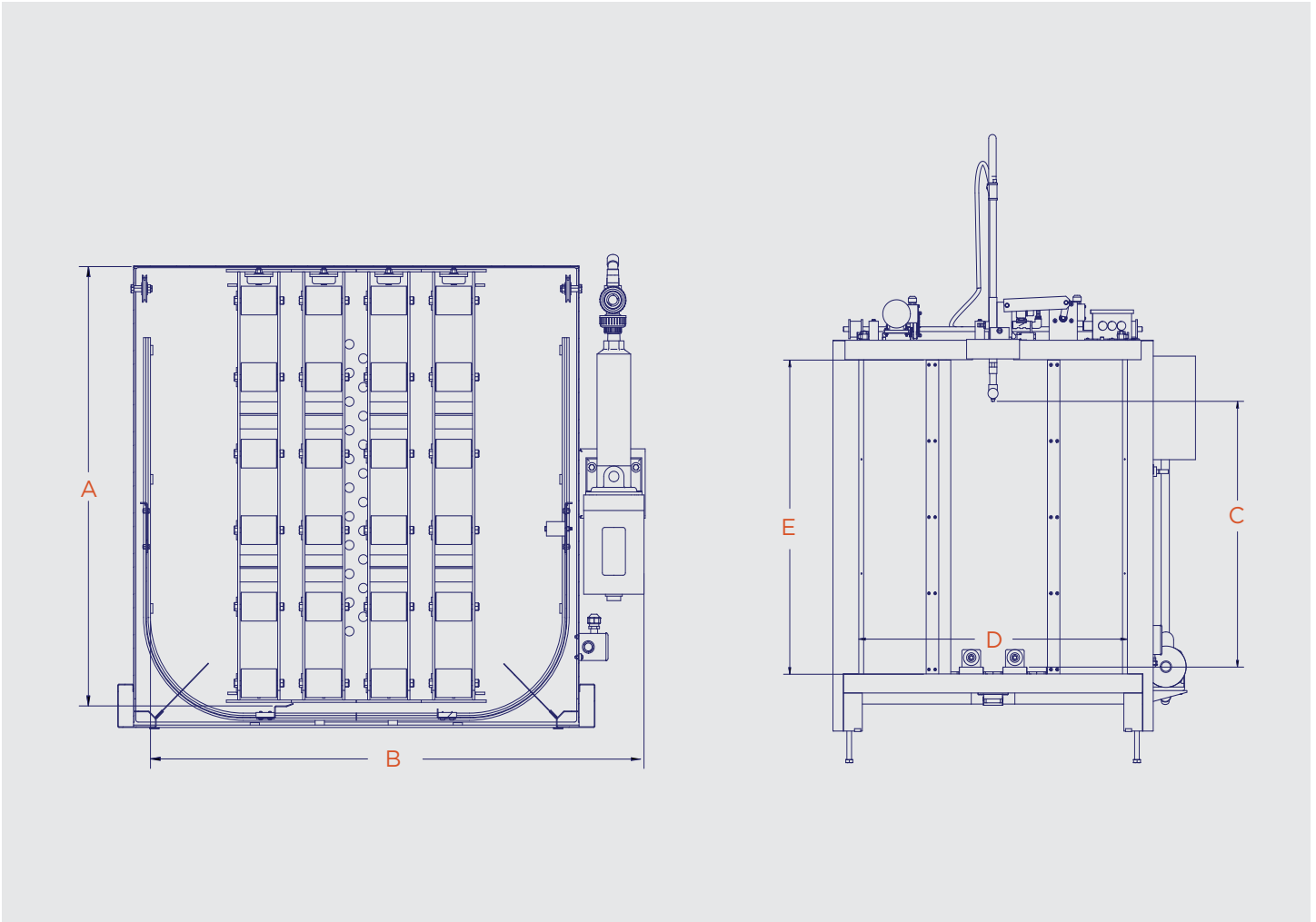
## GENERAL SPECS

Capacity	80L/21G
Water Supply	5 gpm
Power Supply	120 VAC/1 phase/ 15 amps
Service weight	397 lbs / 180 kgs

## MODEL-PART NUMBER BREAKDOWN

Example: ST-80-WWTS-SA





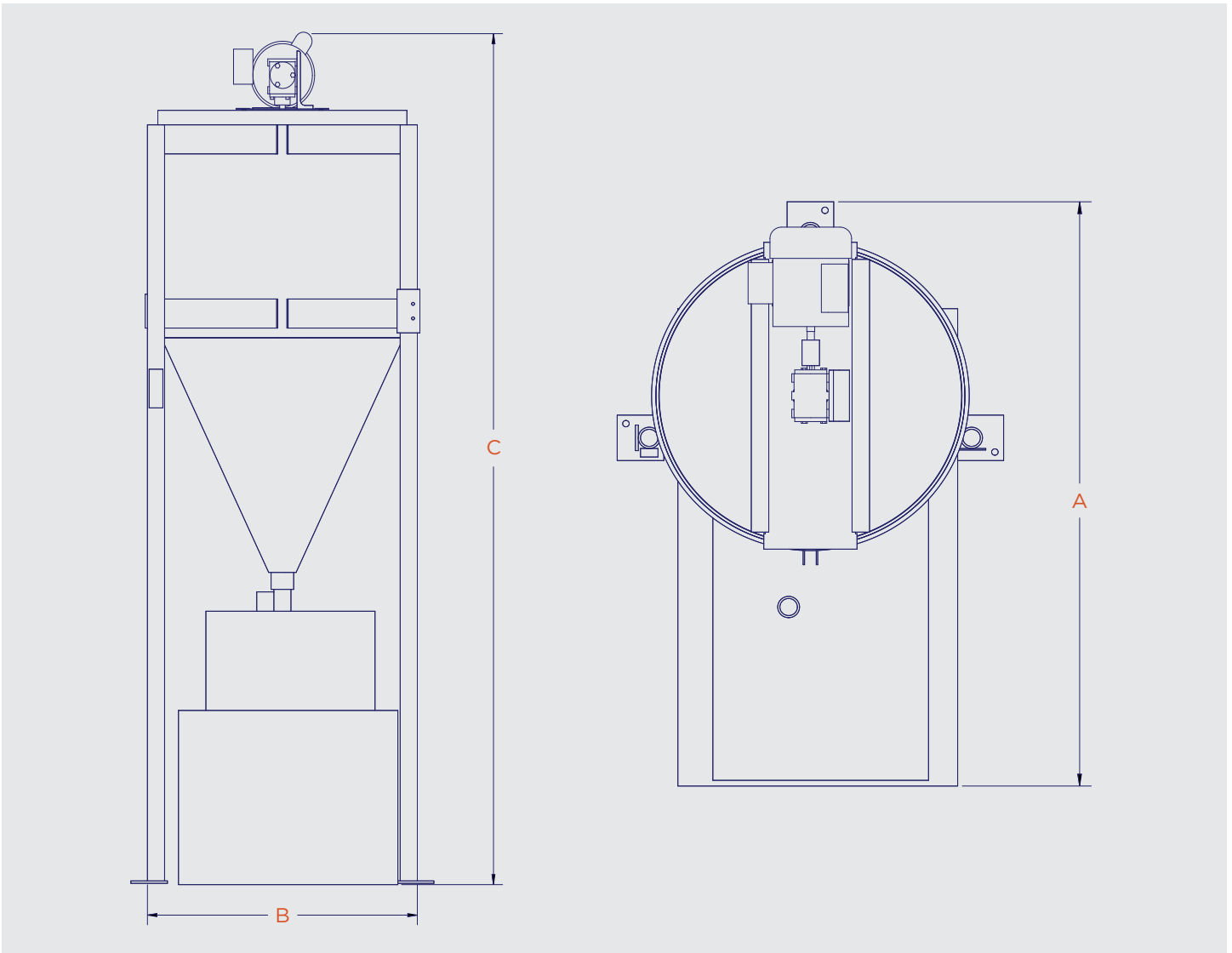
### DIMENSIONAL DATA

### ABM

A	Overall depth	45.5"/1168 mm
B	Overall width	44"/1118 mm
C	Overall height	42"/1067 mm
D	Clear opening width	37.5"/952.5 mm
E	Door height	49.25"/1251 mm
	Maximum battery length	45"/1143 mm
	Maximum battery width	36"/914.4 mm
	Maximum battery height	36"/914.4 mm
	Minimum battery length	16"/406 mm
	Minimum battery width	6"/152 mm
	Minimum battery height	12"/305 mm

# DIMENSIONAL DATA

# WWTS



## DIMENSIONAL DATA

**WWTS**

<b>A</b>	<b>Overall length</b>	52"/1320 mm
<b>B</b>	<b>Overall width</b>	52"/1320 mm
<b>C</b>	<b>Overall height</b>	98"/2490 mm



# FABRICATING & AUTOMATION

Our specialized team of machinists create tools, parts, products, and attachments to solve everyday material handling dilemmas while our team of automation experts focus on robotic engineering, PLC, HMI programming and process automation geared towards your specific manufacturing needs. We deliver world-class expertise by innovating products that help you meet the demands of day-to-day operations.

Let's get started on your next project.



- ✓ Operational Up-time
- ✓ In-house Manufacturing
- ✓ Safety & Security

- ✓ Automated Battery Handling
- ✓ System Design
- ✓ And more!

[info@carneyautomation.com](mailto:info@carneyautomation.com)

[CARNEYAUTOMATION.COM](http://CARNEYAUTOMATION.COM)



- ✓ Product Transfer Systems
- ✓ Below-The-Hook Devices
- ✓ Storage Systems

- ✓ Ergonomic Equipment
- ✓ Forklift & Picker Attachments
- ✓ And more!

[info@carneyfabricating.com](mailto:info@carneyfabricating.com)

[CARNEYFABRICATING.COM](http://CARNEYFABRICATING.COM)





## HAVE ADDITIONAL QUESTIONS? GET IN TOUCH

---

[sales@carneybatteryhandling.com](mailto:sales@carneybatteryhandling.com)  
[www.carneybatteryhandling.com](http://www.carneybatteryhandling.com)

Tel: 1.905.564.0303  
Toll free: 1.866.THE.BULL

*Due to continuous product improvements, specifications are subject to change without notice. Some systems and features shown may be optional at extra cost.*

©2024 Carney Battery Handling Ltd.  
ABM&WWTS\_specifications\_NA