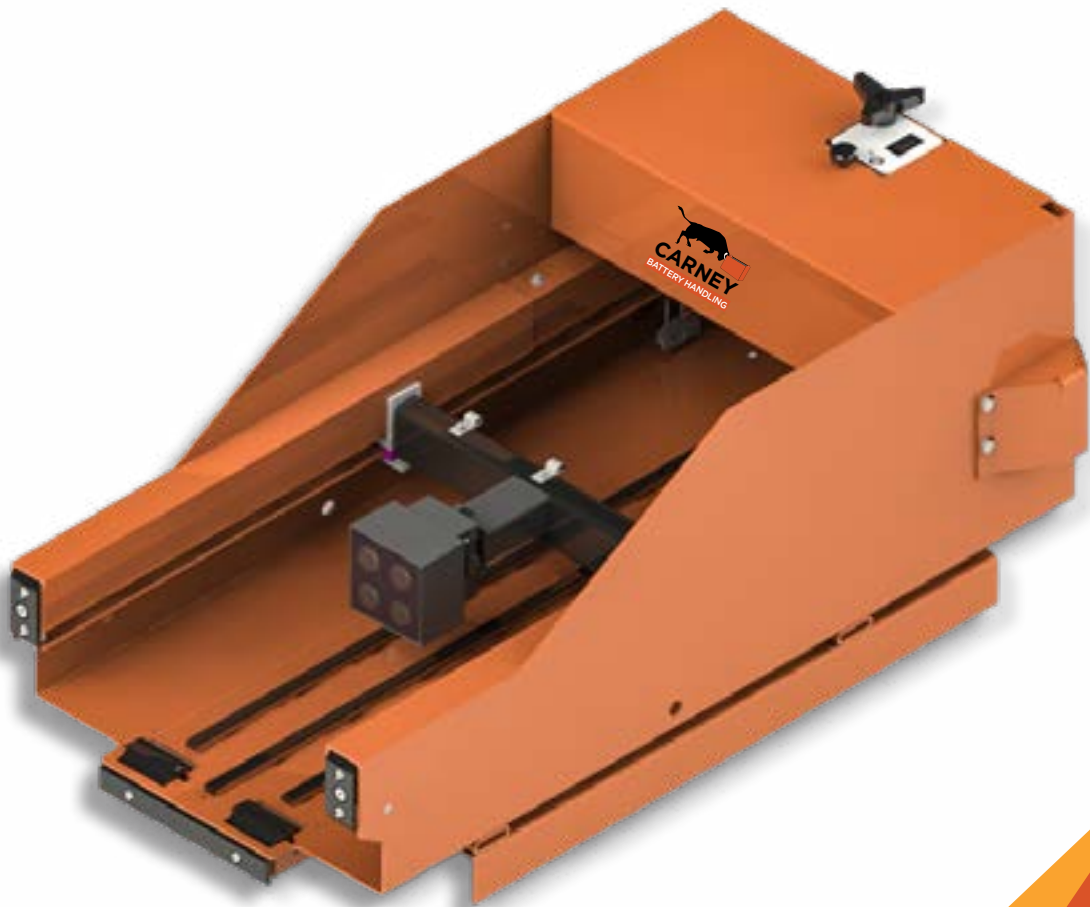




# CBTE

## COBRA BATTERY TUGGER ELECTRIC

BUILT FOR LIGHTER BATTERIES



**CBTE**



## **COBRA BATTERY TUGGER ELECTRIC**

All-electric equipment is better equipment. With a Cobra Battery Tugger Electric, it's also easier and more comfortable for operators. The Cobra Tugger helps change lighter batteries making handling them easier reducing product damages due to improper handling.

All of which translates to happier staff and a more efficient warehouse no matter the size. The Cobra tugger is compatible with any 24V pallet truck and comes equipped with an electromagnet, transporting batteries quickly for maintenance, servicing or charging.

### **ELECTROMAGNETIC EXTRACTION**

Every CBTE has a powerful 900 lbs draw-bar pull for safe, quick and reliable changes. Each magnet comes with a 5-year warranty for low lifetime cost of ownership.

### **ELECTRIC DRIVE**

This unit has a electrically driven push/pull system with damage free circuit breaker which allows for maintenance free operation and reduces damage from misuse.

### **SIMPLE POWER**

The CBTE operates on the host truck's battery pack or industrial battery via the provided 24 volt jumper cable. No additional power is required.

### **ADAPTABLE**

Package this tugger with roller and charger stands for a complete, cost effective and compact battery room package.

### **DURABLE**

Every unit is covered with a durable acid resistant powder coat paint that resists battery acid and other contaminants.



## KEY FEATURES + OPTIONS

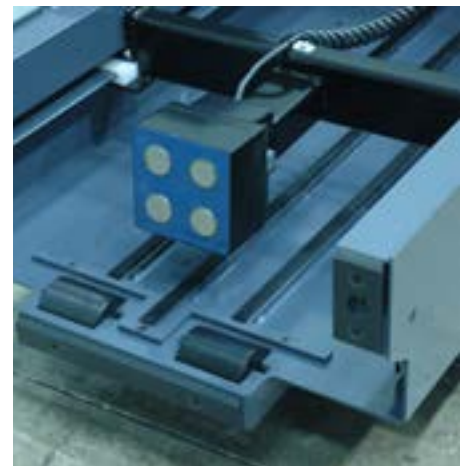
- ✓ Custom colours available
- ✓ Magnet power on/off switch with 5-minute time out
- ✓ 5-year electromagnet warranty
- ✓ Add roller stands
- ✓ Quick clamp for secure mounting
- ✓ Front safety gate
- ✓ Magnet bridge travel
- ✓ Extension limiter
- ✓ Poly-urethane Rollers
- ✓ Flexible mounting options
- ✓ Arm extensions available
- ✓ Unibody construction
- ✓ Light-duty
- ✓ 6-pole magnet available upon request



	<u>STANDARD</u>	<u>METRIC</u>
Unit capacity	2,300 lbs	1,045 kgs
Powerpack type	Gear reduced electric	
Motor type	Permanent magnet DC	
Horse power	1HP	
Available voltage	24V	
Magnet size	6"/6"	150 x 150 mm
Magnet pole	4	
Standard colours	Grey & orange	
Battery connector	SB 175 gray	
Draw bar pull	900 lbs	408 kgs
Magnet time-out	5-minutes	
Arm travel speed	38 FPM	
Minimum fork length required	48"/1220 mm	



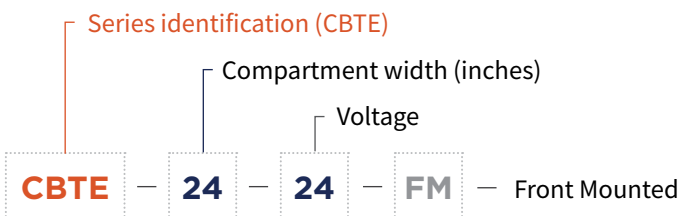
Control Unit



Standard 4 or 6 pole magnet

### MODEL-PART NUMBER BREAKDOWN

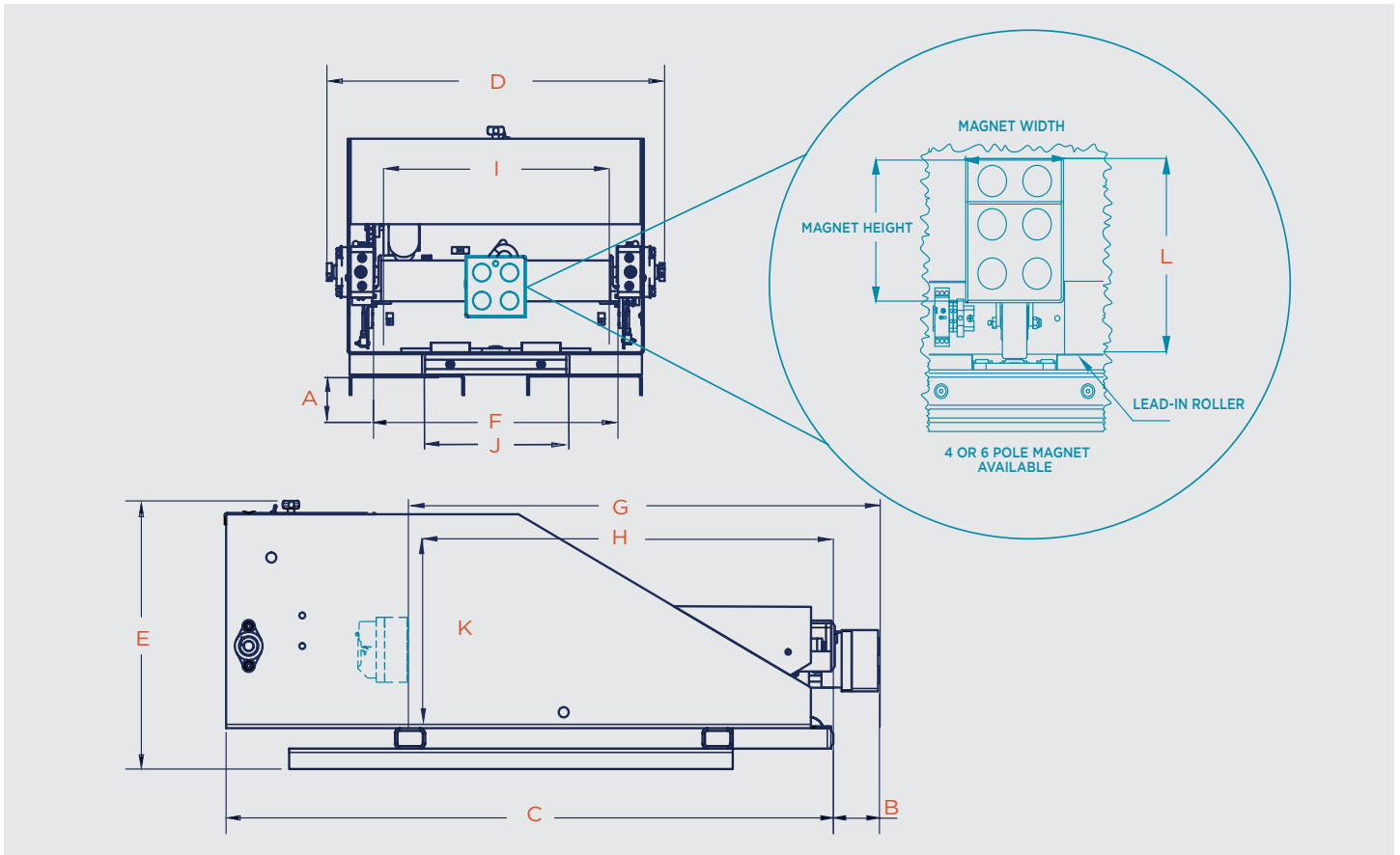
Example: CBTE-24-24-FM



Poly-urethane rollers

# DIMENSIONAL DATA

# CBTE



## DIMENSIONAL DATA

## STANDARD

## METRIC

			STANDARD	METRIC
A	Roll-out height		6.62"	168 mm
B	Standard reach		3.5"	89 mm
C	Overall length		62.5"	1588 mm
D	Overall width		33.25"	844 mm
E	Overall height		27"	686 mm
F	Battery compartment width		24"	610 mm
G	Total magnet travel		42"	1067 mm
H	Maximum battery length		43"	1092 mm
I	Maximum battery width		23"	584 mm
J	Minimum battery width		8"	203 mm
K	Maximum battery height		32"	813 mm
L	Minimum battery height		9"	228.6 mm
M	Service weight		588 lbs	267 kg



# FABRICATING & AUTOMATION

Our specialized team of machinists create tools, parts, products, and attachments to solve everyday material handling dilemmas while our team of automation experts focus on robotic engineering, PLC, HMI programming and process automation geared towards your specific manufacturing needs. We deliver world-class expertise by innovating products that help you meet the demands of day-to-day operations.

Let's get started on your next project.



- ✓ Operational Up-time
- ✓ In-house Manufacturing
- ✓ Safety & Security

- ✓ Automated Battery Handling
- ✓ System Design
- ✓ And more!

[info@carneyautomation.com](mailto:info@carneyautomation.com)

[CARNEYAUTOMATION.COM](http://CARNEYAUTOMATION.COM)



- ✓ Product Transfer Systems
- ✓ Below-The-Hook Devices
- ✓ Storage Systems

- ✓ Ergonomic Equipment
- ✓ Forklift & Picker Attachments
- ✓ And more!

[info@carneyfabricating.com](mailto:info@carneyfabricating.com)

[CARNEYFABRICATING.COM](http://CARNEYFABRICATING.COM)



## HAVE ADDITIONAL QUESTIONS? GET IN TOUCH

---

[sales@carneybatteryhandling.com](mailto:sales@carneybatteryhandling.com)  
[www.carneybatteryhandling.com](http://www.carneybatteryhandling.com)

Tel: 1.905.564.0303  
Toll free: 1.866.THE.BULL

*Due to continuous product improvements, specifications are subject to change without notice. Some systems and features shown may be optional at extra cost.*

©2024 Carney Battery Handling Ltd.  
CBTE\_specifications\_NA