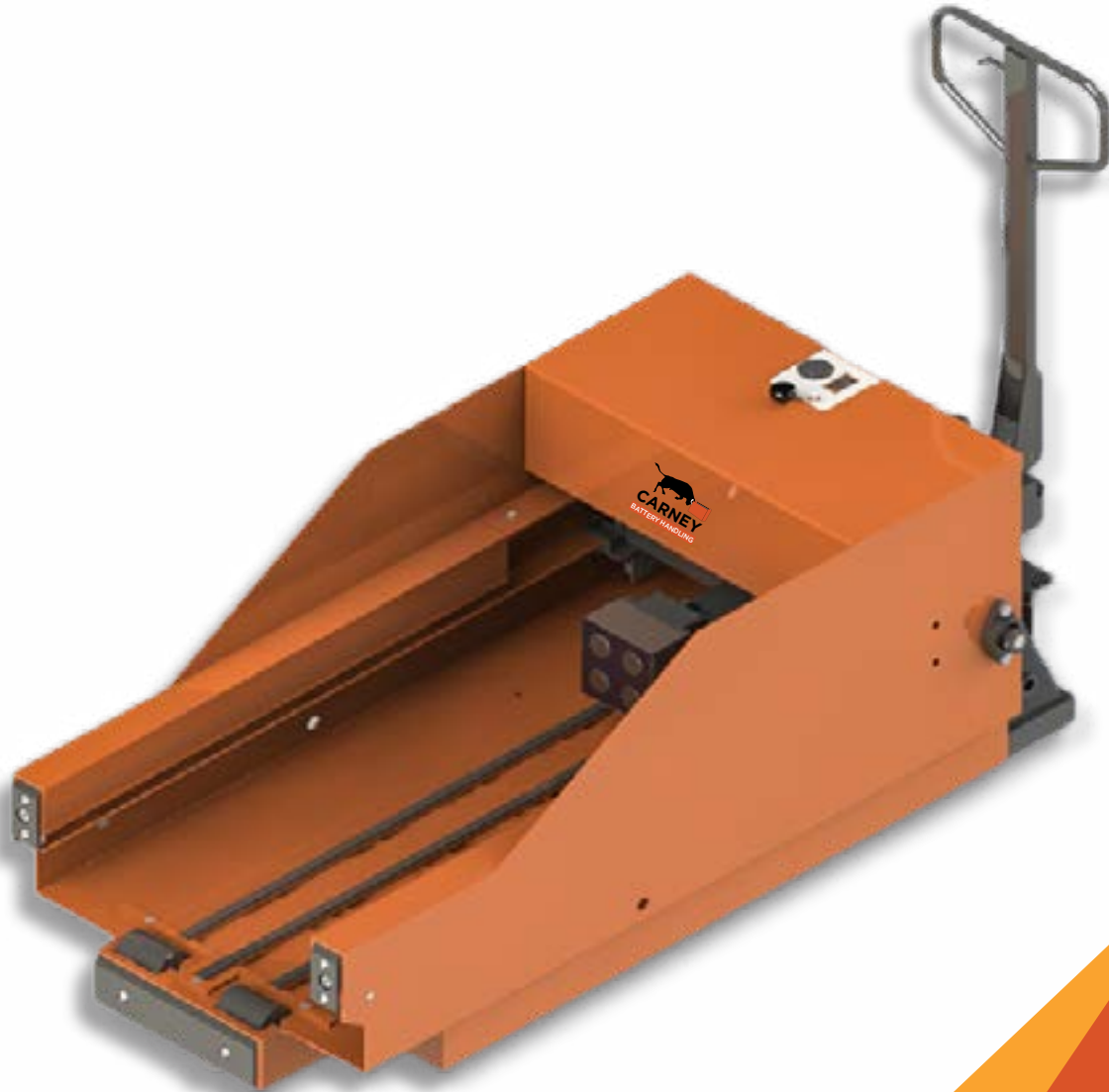




EZBT

EASY BATTERY TUGGER ELECTRIC

ALL-IN-ONE BATTERY HANDLING



EZBT



EASY BATTERY TUGGER ELECTRIC

Nothing beats easy battery handling - and that's exactly what the EZ-Tugger provides. It's an innovative, compact battery tugger that's specifically designed to change batteries weighing less than 2300 lbs. The EZ-Tugger is ideal for small fleets and unlike other units available in today's market the EZBT stands alone, permanently welded onto an industry-standard hand pallet jack making it small, portable and easy to use.

Constructed as a single unit, all extraction functions are push button and electrically powered limiting the operator's contact with the battery.

ELECTROMAGNETIC EXTRACTION

Electrically powered magnetic removal and placement of batteries with a draw bar pull of 900 lbs.

ADAPTABLE

Package this tugger with roller and charger stands to create a complete, cost effective and compact battery room package.

LIFTING RANGE

The EZ-Tugger comes equipped with a lifting range of 6.5"- 10.25" or 165-260 mm.

BUILT-IN BATTERY & CHARGER

The only Carney tugger that comes with a battery and charger. The EZBT is an out of the box solution with a battery that is rechargeable anywhere household current is available.

POSITIVE BRAKING SYSTEM

The EZBT has a frame mounted brake which prevents push-back during changes eliminating the need for retaining chains



KEY FEATURES + OPTIONS

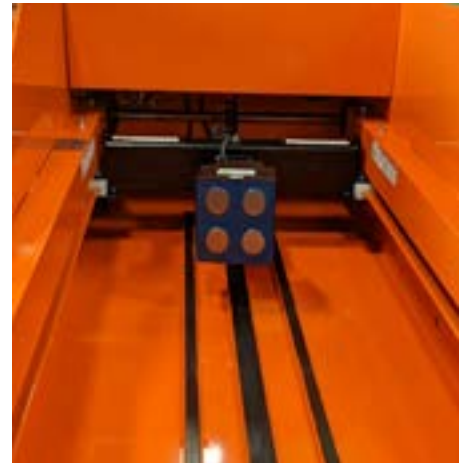
- ✓ Custom colours available
- ✓ Magnet power on/off switch with 5-minute time out
- ✓ 5-year electromagnet warranty
- ✓ Optional AC power supply of 120 volts
- ✓ Magnet bridge travel
- ✓ Extension limiter
- ✓ Poly-urethane Rollers
- ✓ Arm extensions available
- ✓ Unibody construction
- ✓ Light-duty
- ✓ 6-pole magnet available upon request



	<u>STANDARD</u>	<u>METRIC</u>
Unit capacity	2,300 lbs	1,045 kgs
Powerpack type	Gear reduced electric	
Motor type	Permanent magnet DC	
Horse power	1HP	
Available voltage	12V	
Magnet size	6"/6"	150 x 150 mm
Magnet pole	4	
Standard colours	Orange & blue	
Draw bar pull	900 lbs	408 kgs
Magnet time-out	5-minutes	
Arm travel speed	38 FPM	
Battery Type & Size	12V deep discharge 1--A/H+	
Charger Type	120 VAC, 10A built-in automatic	



Control Unit



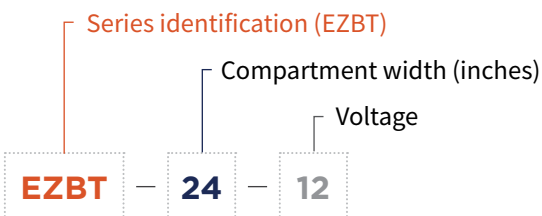
Standard 4-pole magnet



Poly-urethane rollers

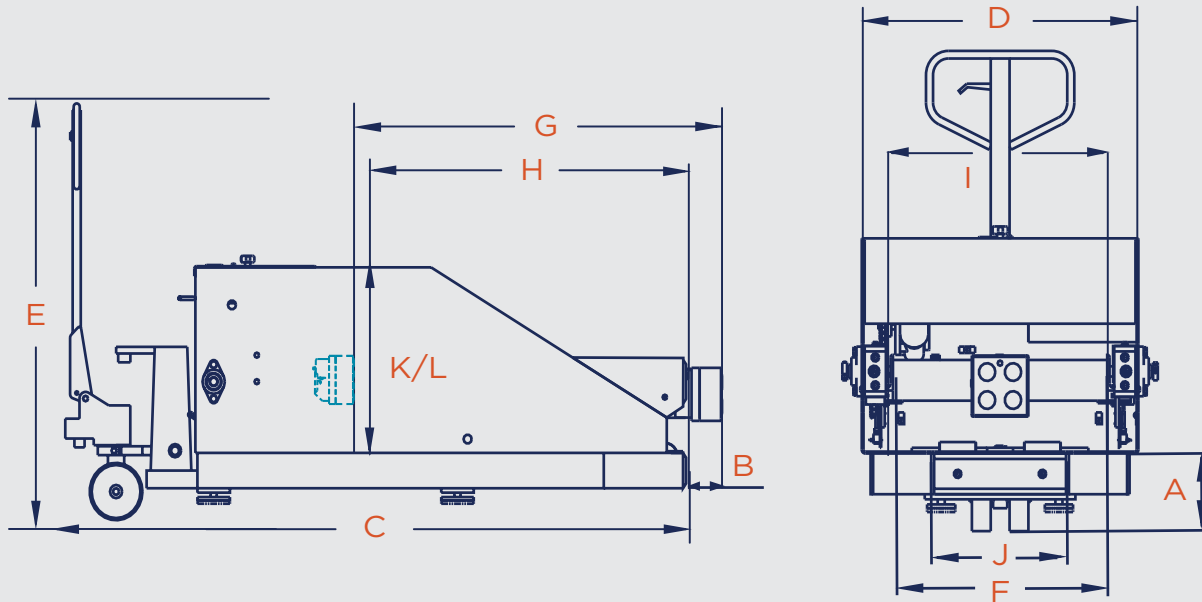
MODEL-PART NUMBER BREAKDOWN

Example: EZBT-24-12



DIMENSIONAL DATA

EZBT



DIMENSIONAL DATA

STANDARD

METRIC

			STANDARD	METRIC
A	Roll-out height		6.62"	168 mm
B	Standard reach		3.5"	89 mm
C	Overall length		78"	1982 mm
D	Overall width		33.25"	844 mm
E	Overall height		48"	1219 mm
F	Battery compartment width		24"	610 mm
G	Total magnet travel		42"	1067 mm
H	Maximum battery length		43"	1092 mm
I	Maximum battery width		23"	584 mm
J	Minimum battery width		6"	152 mm
K	Maximum battery height		32"	813 mm
L	Minimum battery height		9"	229 mm
M	Service weight		750 lbs	341 kg



FABRICATING & AUTOMATION

Our specialized team of machinists create tools, parts, products, and attachments to solve everyday material handling dilemmas while our team of automation experts focus on robotic engineering, PLC, HMI programming and process automation geared towards your specific manufacturing needs. We deliver world-class expertise by innovating products that help you meet the demands of day-to-day operations.

Let's get started on your next project.



- ✓ Operational Up-time
- ✓ In-house Manufacturing
- ✓ Safety & Security

- ✓ Automated Battery Handling
- ✓ System Design
- ✓ And more!

info@carneyautomation.com

CARNEYAUTOMATION.COM



- ✓ Product Transfer Systems
- ✓ Below-The-Hook Devices
- ✓ Storage Systems

- ✓ Ergonomic Equipment
- ✓ Forklift & Picker Attachments
- ✓ And more!

info@carneyfabricating.com

CARNEYFABRICATING.COM



HAVE ADDITIONAL QUESTIONS? GET IN TOUCH

sales@carneybatteryhandling.com
www.carneybatteryhandling.com

Tel: 1.905.564.0303
Toll free: 1.866.THE.BULL

Due to continuous product improvements, specifications are subject to change without notice. Some systems and features shown may be optional at extra cost.

©2024 Carney Battery Handling Ltd.
EZBT_specifications_NA