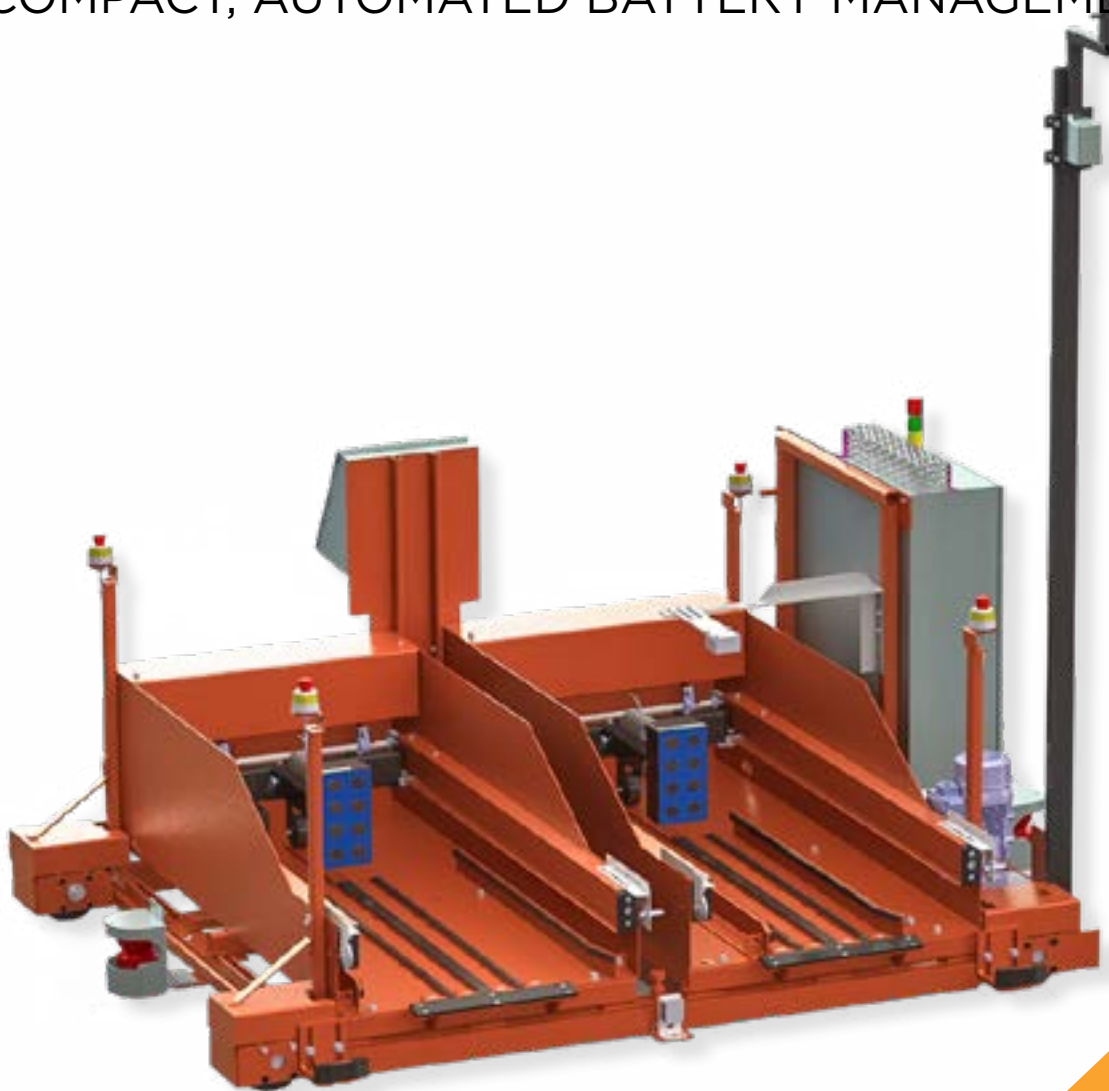




# MAC

## MINI AUTO CHANGER

COMPACT, AUTOMATED BATTERY MANAGEMENT





**MAC**



# MINI AUTO CHANGER

---

Carney's Mini Auto Changer (MAC) enhances the efficiency and productivity of Automated Guided Vehicles (AGVs) in industrial applications worldwide. The MAC uses a fully integrated PLC control system that provides precise control and responsiveness, resulting in faster battery changes that set the industry standard in automated battery changing.

By eliminating the need for human intervention, the MAC adds value to the fully automated proposition, making it a crucial asset for any industry that seeks to optimize its performance. With a 15-year track record, the MAC is a reliable product that has already proven its worth in various industrial applications worldwide.

## **FULLY PROGRAMMABLE**

The logic-based AC power system gives the system precise control and responsiveness for faster changes.

## **SELF-DIAGNOSTICS & LOGGING**

Decreases both downtime and servicing, maximizing production times.

## **INTELLIGENT USERFACE**

The AGV & changing systems are entirely customizable to suit your automation needs.

## **ULTRA LOW MAINTENANCE**

The MAC only requires servicing every three hundred hours.

## **MAXIMUM EFFICIENCY**

Each system is built with in-cart battery staging in a single level roll-out application for more compact operations.

## **WARRANTY**

Every unit comes with a standard 1-year warranty for your protection and a 5-year warranty on the electromagnet.



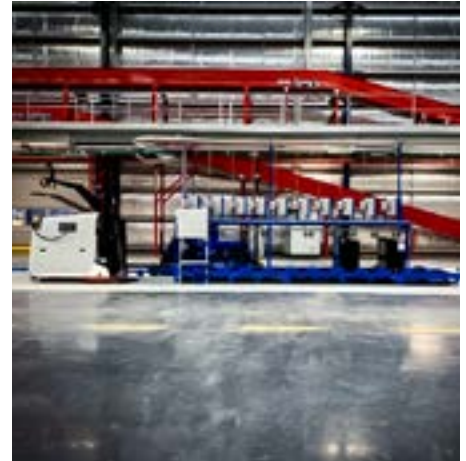
## KEY FEATURES + OPTIONS

- ✓ User-friendly control panel
- ✓ Integrated safety systems
- ✓ Emergency override
- ✓ Low cost automation
- ✓ Acid proof powder coating
- ✓ Fixed roll-off height from 7-26" or 178-660 mm
- ✓ Compatible with conventional MHE
- ✓ Easy integrated with Automated guided vehicles
- ✓ Dual battery bays for smoother changes
- ✓ Tested globally with systems currently operating in India, Europe and North America
- ✓ Custom colours available





	<u>STANDARD</u>	<u>METRIC</u>
Unit capacity	8000 lbs	3629 kgs
Powerpack type	Gear reduced electric	
Motor type	Permanent magnet DC	
Horse power	1HP	
Magnet size	6.5"/11.5"	152 x 292 mm
Magnet pole	8	
Standard colours	Orange & Blue	
Machine duty cycle	5,500 hrs	
Lift speed	0.033m/s	
Travel Speed	0-175 FPM	0-53.3 MPM
Max Input voltage	575 V	
Max Frequency	60 Hz	
Max current drawn	9.5 A	
Draw bar pull	1,800 lbs	817 kgs
Service weight	3,400 lbs	1543 kgs



MAC Installation with AGV



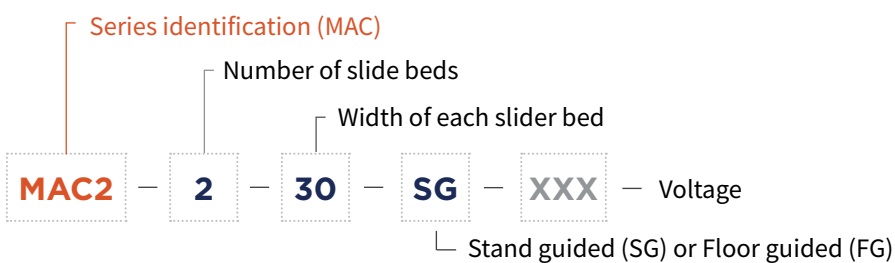
Control Station



Proximity Safety Sensor

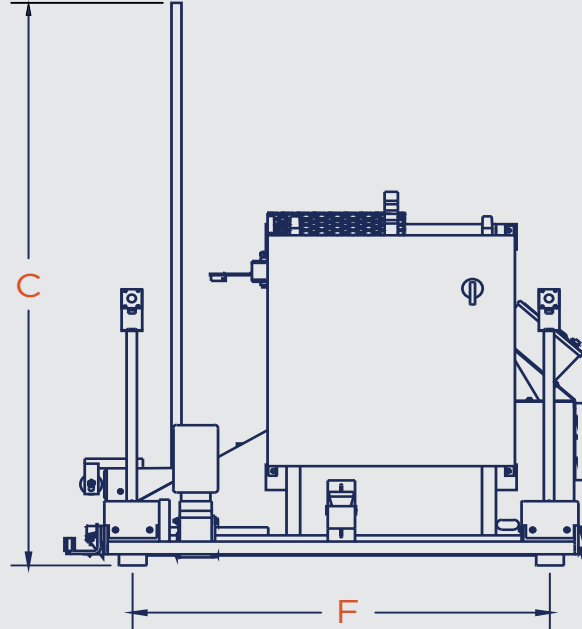
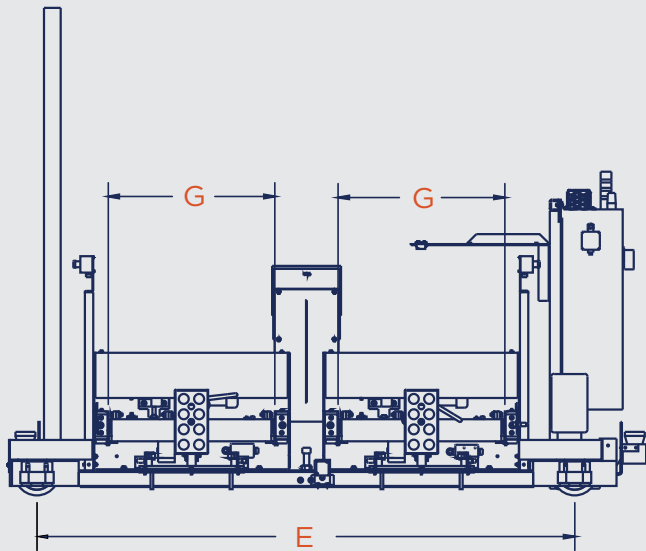
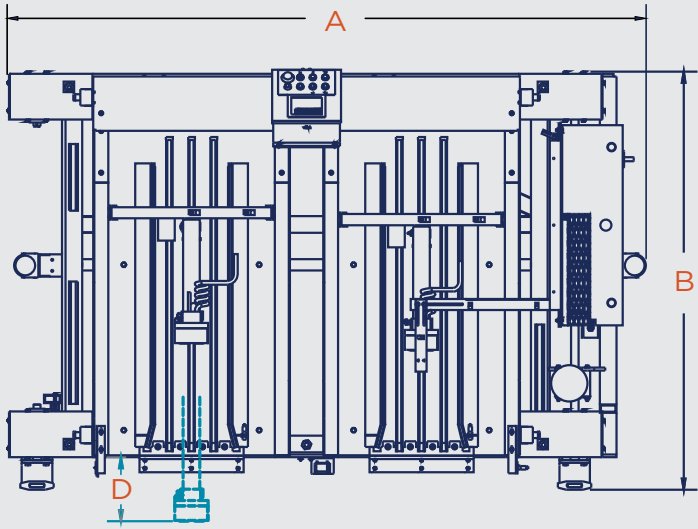
## MODEL-PART NUMBER BREAKDOWN

Example: MAC2-2-30-SG-XXX



# DIMENSIONAL DATA

# MAC



## DIMENSIONAL DATA

### STANDARD

### METRIC

		<u>STANDARD</u>	<u>METRIC</u>
<b>A</b>	Overall length	103"	2616 mm
<b>B</b>	Overall width	80.25"	2038 mm
<b>C</b>	Overall height	90.25"	2292 mm
<b>D</b>	Maximum magnet arm reach	Customized to suit	
<b>E</b>	Wheel base	90.75"	2305 mm
<b>F</b>	Centreline of drive wheels	62"	1575 mm
<b>G</b>	Battery compartment overall width	30"	762 mm
	Maximum battery length	Customized to suit	
	Maximum battery width	28"	711 mm
	Minimum battery width	6"	152 mm
	Maximum battery height	32"	813 mm
	Minimum battery height	13"	331 mm
	Floor level variance	0.25"	6 mm





# FABRICATING & AUTOMATION

Our specialized team of machinists create tools, parts, products, and attachments to solve everyday material handling dilemmas while our team of automation experts focus on robotic engineering, PLC and HMI programming and process automation geared towards your specific manufacturing needs. We deliver world-class expertise by innovating products that help you meet the demands of day-to-day operations.

Let's get started on your next project.



- ✓ Operational Up-time
- ✓ In-house Manufacturing
- ✓ Safety & Security
- ✓ Automated Battery Handling
- ✓ System Design
- ✓ And more!

[info@carneyautomation.com](mailto:info@carneyautomation.com)

[CARNEYAUTOMATION.COM](http://CARNEYAUTOMATION.COM)



- ✓ Product Transfer Systems
- ✓ Below-The-Hook Devices
- ✓ Storage Systems
- ✓ Ergonomic Equipment
- ✓ Forklift & Picker Attachments
- ✓ And more!

[info@carneyfabricating.com](mailto:info@carneyfabricating.com)

[CARNEYFABRICATING.COM](http://CARNEYFABRICATING.COM)



## HAVE ADDITIONAL QUESTIONS? GET IN TOUCH

---

[sales@carneybatteryhandling.com](mailto:sales@carneybatteryhandling.com)  
[www.carneybatteryhandling.com](http://www.carneybatteryhandling.com)

Tel: 1.905.564.0303  
Toll free: 1.866.THE.BULL

*Due to continuous product improvements, specifications are subject to change without notice. Some systems and features shown may be optional at extra cost.*

©2024 Carney Battery Handling Ltd.  
MAC\_specifications\_NA